




Minutes ETC meeting, July 14 <sup>th</sup> and 15 <sup>th</sup> , 2016	 European forum for energy Business Information eXchange
August 16 <sup>th</sup> , 2016	ETC – ebIX® Technical Committee

## Minutes ETC meeting, July 14th and 15th, 2016

**Date:** Thursday and Friday July 14th and 15th, 2016  
**Time:** 09:30 –18:00 and 09:00 – 16:00  
**Place:** Warsaw  
**Present:** Jan Owe (Convenor), SE, Svenska kraftnät, [Jan.Owe@svk.se](mailto:Jan.Owe@svk.se)  
Kees Sparreboom, NL, TenneT, [kees.sparreboom@cappgemini.com](mailto:kees.sparreboom@cappgemini.com)  
Ove Nesvik (Secretary), NO, Edisys, [ove.nesvik@edisys.no](mailto:ove.nesvik@edisys.no)  
Pawel Borkowski, PL, RWE IT Poland Sp. z o.o., [Pawel.Borkowski@rwe.pl](mailto:Pawel.Borkowski@rwe.pl)  
Thibaut Helin, BE, Atrias, [thibaut.hellin@atrias.be](mailto:thibaut.hellin@atrias.be)  
**Appendixes:** **Appendix A**, Pending list  
**Appendix B**, The tasks of ETC  
**Appendix C**, Agreed additions to the ebIX® Business Information Model 2016.A  
**Appendix D**, ebIX® Rules for addressing (routing)

**Attachment:**

  
HRM\_MR\_ESCO -  
ebIX - HG reviewed . , see item 4.1, HG action list

  
ebIX\_technical\_presentation\_October\_2  
See item 15, Creation of an ebIX® technical presentation  
(homework from Jan)  
*(Double click on the icon above to see the presentation or right click to edit)*

### 1 Approval of agenda

The agenda was approved with the following additions:

- HRM MR from CuS for addition of Gateway Operator and Communication Gateway, see 4.2
- Product codes , see 4.3
- What to do when the TR is approved, see 5.1
- QA of the ebIX® model, see 8.6
- Volunteers for testing of the TT, see 14.1
- UN/EDIFACT UNSMs, see 19.1 under AOB
- How to welcome new ebIX® member countries, see 19.2 under AOB

### 2 Minutes from previous meetings

The minutes from previous meeting were approved.

### 3 Resolve matters from latest ebIX® Forum:

Jan had as action from previous meeting prepared a business-focused presentation on how standards (ebIX®, CIM, UNCEFACT) interrelate for review at next ETC, or more precise, what we need and where to find it. The presentation was reviewed and updated.

#### 4 Resolve matters from latest ebIX®, EFET and ENTSO-E Harmonised Role Model (HRM)

##### 4.1 HG action list

Actions from previous HG meeting:

- All will verify if we can delete the National Area from the HRM and not include the Member State Area.

**Conclusion:**

- Yes, we can delete the National Area from the HRM and not include the Member State Area.

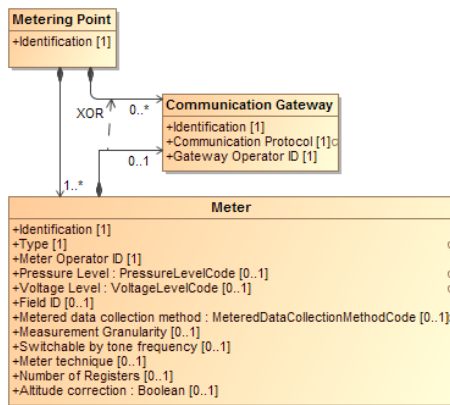
- WG-EDI and ebIX® is asked to approve the addition of the ESCO to the HRM

**Conclusion:**

- Yes, ebIX® approves the addition of the ESCO to the HRM.

##### 4.2 HRM MR from CuS for addition of Gateway Operator and Communication Gateway

At the previous CuS meeting it was agreed that there is a need for a Gateway Operator and a Communication Gateway, as an addition to the Notify Metering Configuration Characteristics process.



Communication Gateway <sup>1</sup>		A Communication Gateway connected to the Meter that communicates measured data to the linked Metered Data Collector.
Identification		The unique identification of this Communication Gateway.
Communication Protocol		The Type of communication protocol used by this Communication Gateway.
Gateway Operator ID		The identification of the Gateway Operator responsible for this Communication Gateway.

<sup>1</sup> The Gateway and Gateway Operator are not yet agreed added to the Harmonised Role Model

**Action:**

- Ove will make a draft MR for the HG and send it to CuS (for meeting September 7<sup>th</sup> and 8<sup>th</sup>) and, and thereafter to ETC (meeting September 13<sup>th</sup> and 14<sup>th</sup>) for verification, before submitting it to the HG.

**4.3 Product codes not part of the ENTSO-E code list**

Jan informed that there are product codes in the ebIX<sup>®</sup> product code list that are missing in the ENTSO-E code list. Jan propose making a brief document at a coming ETC meeting where we list those product codes that are missing in the ENTSO-E code list and send it to ENTSO-E.

Energy Product Identifier	Code name	Used by		ENTSO-E definition
		ebIX <sup>®</sup>	ENTSO-E	
8716867000146	Energy reactive inductive	✓	✓	Refer to the ETSO document "Energy product types Active - Reactive - Inductive - Capacitive".
8716867000139	Energy reactive capacitive	✓	✓	Refer to the ETSO document "Energy product types Active - Reactive - Inductive - Capacitive".
8716867000085	Transport use	✓	✓	
8716867000078	Transport capacity	✓	✓	
8716867000061	Connection use	✓	✓	
8716867000054	Connection capacity	✓	✓	
8716867000047	Energy reactive	✓	✓	The integral with respect to time of reactive power (not used for planned schedules).
8716867000030	Energy active	✓	✓	The electrical energy produced, flowing or supplied by an electrical circuit during a time interval, being the integral with respect to time of instantaneous active power, measured in units of watt-hours, or standard multiples thereof.
8716867000023	Power reactive	✓	✓	The product of voltage and current and the sine of the phase angle between them, measured in units of voltamperes reactive and standard multiples thereof. (not used for planned schedules).
8716867000016	Power active	✓	✓	The product of voltage and the in-phase component of alternating current measured in units of watts and standard multiples thereof.

5410000100016	Natural Gas	✓		
8716867000153	Apparent power	✓		<i>ebIX® definition:</i> Vector sum of active and reactive power expressed in volt - amperes
8716867009911	Water		✓	For hydro power stations, this enables the identification of the quantity of water stored behind a dam (volume, head level, etc.), or the constraints in the flow of water.

**Conclusion.**

- Kees will add the definitions as “documentation” in the ebIX® model
- Jan will send a mail to Maurizio and/or Louise and inform WG-EDI about the two missing product codes in the ENTSO-E code list, and also will ask WG-EDI to review the definitions of the product codes, optionally in the HG.

**5 Status and continuation of ebIX®/IEC trial project**

Jan presented the latest TR (Technical Report). The project is working with finalising the TR and expect a first draft for comments outside the project group during autumn this year.

**5.1 What to do when the TR is approved**

Postponed until after the next ebIX® Forum meeting, November 24<sup>th</sup> 2016. The presentation reviewed under item 3 can be seen as a start, or introduction, to the topic.

**6 AS4**

Kees informed that both the German and Dutch regulator intend to make AS4 required in the upstream gas sector.

*Continued action (to be effectuated at a later stage):*

- ETC ask Kees to ask Lucy and Vlatka if they will bring up the question if an AS4 Client for MADES 2.0 could be a common project between ENTSO-E and ebIX® next time they have a meeting with ENTSO-E.

**7 codeListAgencyIdentifier usage in ebIX® model**

Thibaut had as action from previous meeting made a proposal for an update request for the TT, i.e. a proposal for added annotation derived from tagged value (incl. modificationAllowedIndicator) for each particular enumeration (only) and similar structure for all enumerations; assembled and others.

Currently we have no approved version from In4mate, hence we must await approval of the latest version of the TT, before this new functionality will be asked from In4mate. In addition, we need approval from ebIX® Forum before asking In4mate to add more functionality.

**Action:**

- Thibaut will do a few updates in the document (proposal for an update request for the TT related to codeListAgencyIdentifier) and forward it to ETC for information
- When to ask ebIX® forum for approval of the new additions will be discussed at the next ETC meeting.

## 8 ebIX® Business Information Model 2016.A

### 8.1 Continue review and update of version 2016.A

Proposed updates are found in Appendix C.

### 8.2 To be discussed and agreed, for ebIX® model 2016.A:

CuS has not yet dealt with the request from ETC, hence the item was postponed.

### 8.3 CuS BIMs (“to remember item” until ebIX® model 2016.A is agreed)

Since version 2016.A not yet are final, the item was postponed.

### 8.4 How to represent the exchange of calorific value in ABIEs

The item was postponed.

### 8.5 How to extend the possibilities for national customisation?

Experience shows that it not is possible to create a model that cover the all need elements for a country:

- We have the “core elements” of the ebIX® Model, such as the “ebIX Profile”, “ebix.org” and the “Harmonised Role Model (HNR)”
- ebIX® can only guarantee the “core ebIX® elements”, such as BIEs and roles and domains from the HNR
- Tailored elements should be created in separate national packages and should be based on ebIX® elements when possible

**Action:**

- Kees will make a first draft template for national customisation of the ebIX® model, including:
  - One national choreography
  - One national document

### 8.6 QA of the ebIX® model

The QA should among others include:

- Make sure that the modules are in line, such as verifying the that CuS and EMD model are based on the same principle
- Clean up (removal) of old and not used parts of the model
- Remove EDIFACT parts
- Find a place to publish the latest draft version for the ebIX® members, e.g. at github.com

**Action:**

- Jan will find topics to be discussed related to how to organise, maintain and develop the ebIX® model in a better way. The item will be put on the next ETC agenda.

**9 Master data for areas**

Review of a first draft of a BRS for Master data for Areas, such as MGA, is put on the next CuS agenda.

The item is closed, but will be reopened when CuS has come up with a proposal.

**10 Update of ebIX® position related to addressing in business documents**

Appendix D, ebIX® Rules for addressing (routing) was reviewed.

We will put the text into a draft “ebIX® recommendations for communication” document, where we also may add rules for use of SOAP, AS4 (?), MADES header (?) etc.

**Action:**

- All are asked to read the Belgian [“Position paper MIG6 B2B communication v3.4.pdf”](#) and come up with ideas on how to continue.

**11 Status for letter to MD and EA regarding compatibility**

The item was postponed.

**12 Code lists from MD model in Word format**

The item was postponed.

**13 Making a plan for support for new countries that want to use the ebIX® model**

The item was postponed.

**14 Status for update of the TT (Transformation Tool)**

Kees informed that the TT currently seems to be in a condition that it can be approved. However, we need to verify that the schemas are in line with the BRSs. The test (verification) will be done using version 2014.A and verify that the BRSs are in line with the Structure XSDs.

Under the condition that the verification is OK, the publication of the TT will be agreed at the next ETC meeting.

The current version is stored at github.com and we should make sure that the new source also is published there.

**Conclusion:**

- We keep the updated source at github.com

- We will not change the access right for In4mate for the time being

**Action:**

- Kees will ask In4mate to publish the new source at github.com, when the TT has been approved

#### 14.1 Volunteers for testing of the TT

**Action:**

- Verification of the TT will be done before September 1<sup>st</sup>, by:
  - Thibaut will verify Move and Settle
  - Pawel will try to find time to verify Change of Supplier and Measure for Billing
  - Kees will verify the rest of Measure
  - Ove will verify the rest of the Structure

#### 15 Creation of an ebIX® technical presentation

The item was postponed.

#### 16 Status for UN/CEFACT project for Alignment of Master Data for Metering Point and of Measured Data

The item was postponed.

#### 17 Status for ebIX® project for new roles related to smart processes, with a special focus on flexibility markets

The item was postponed.

#### 18 Next meeting(s), including start and end time.

Tuesday September 13<sup>th</sup> and Wednesday September 14<sup>th</sup> 2016, Oslo

Tuesday November 22<sup>nd</sup> and Wednesday November 23<sup>rd</sup> 2016, in Berlin

#### 19 AOB

##### 19.1 UN/EDIFACT UNSMs

CuS had asked ETC to state somewhere that we do not do UN/EDIFACT UNSMs anymore.

The documents at the ebIX® web-site was reviewed and it was agreed to remove two sentences from the "Introduction to Business Requirements and Information Models" where it is stated that ebIX® will make EDIFACT implementation guides on request.

**Action:**

- Kees will publish the updated "Introduction to Business Requirements and Information Models" after the circulation for comments to ETC and ebIX® Forum is over, i.e. August 16<sup>th</sup>.
- All are asked to think about what to do with the currently published "ebIX® common rules and recommendation for EDIFACT" document, i.e. should we keep it or remove it from the ebIX® web site?

## 19.2 How to welcome new ebIX® member countries

From “Rules for ETC, 2008”:

### **For new members**

The chairman of ebIX provides a project leader and assigns a budget. The support is in general limited to:

- A workshop with introduction to the relevant ebIX business information model(s).
- Additional support limited to 5 days (of 8 working hours).

The support is organised by ebIX ETC on request of the ebIX chairman.

Ove sent, during the meeting, a mail to Lucy, informing about the support program above, and ask if we need to prepare more information for the new member countries.

## 19.3 ebIX® web site

During the meeting it was noted that the member list for CuS, ETC and ebIX® Forum, on the ebIX® web site, need update.

### **Action:**

- Ove will update the member pages for ebIX® Forum (Vlatka as ebIX® vice chair), ETC and CuS.



## Appendix A Pending list

### A. ebIX® recommended identification scheme

Chapter 7 from the «ebIX® common rules and recommendations» should be a basis for a new chapter in the ebIX® recommended identification scheme document.

### B. ebIX® Modelling Methodology

Homework from earlier meetings:

- Those who have time are asked to read the ebIX® Modelling Methodology (see [www.ebix.org](http://www.ebix.org)) and see if there are parts of it that have to be moved to the *ebIX® Rules for the use of UMM2* or *Introduction to ebIX® Models* documents.

### C. ebIX® header:

- a) Do we want the following rule?

*The requestor id and the requestor role (Business process role) for the actor (role) that asks for changed, added or deleted information of another role shall be stated in the document header.*

- b) The content of the Energy Document and Energy Context ABIEs needs a review.

## Appendix B The tasks of ETC

Task	Group	Priority	Planned
Update of Introduction to Business Requirements and Information Models		High	Every Q1
Making ebIX® Recommendations for usage of WEB services including recommendations for acknowledgement and error handling		Medium	2016
Review of "Rules for status and consequences for ebIX® documents"		Medium	Every Q1
Maintain the ebIX® technical documents: <ul style="list-style-type: none"> <li>• ebIX® Rules for the use of UMM-2.0</li> <li>• ebIX® common rules and recommendations (v1r1D)</li> <li>• ebIX® Recommendations for asynchronous acknowledgement and error handling (v1r0C)</li> </ul>		Medium	Every Q2
Other tasks: <ul style="list-style-type: none"> <li>• 2<sup>nd</sup> generation Harmonized Role Model for Electricity and Gas</li> <li>• ebIX® Header</li> </ul>	HG	Medium High	2016 2016
Maintain ebIX® profile for MagicDraw, including: <ul style="list-style-type: none"> <li>• Core Components</li> <li>• Code lists</li> <li>• Templates, etc.</li> </ul>		Continuous	
Participation/representation in the ENTSO-E and ebIX® technical WGs <ul style="list-style-type: none"> <li>• Maintaining harmonised role model</li> <li>• Core Components</li> <li>• Information exchange between participation organisations</li> </ul>	Together with ENTSO-E	Continuous	
Participation in UN/CEFACT		Continuous	
Cooperation with IEC/TC57/WG16		Continuous	
Organise implementation support, such as: <ul style="list-style-type: none"> <li>• ebIX® course</li> <li>• Implementation support for participating countries, such as inserting/updating codes.</li> </ul>		Continuous	
Supporting ebIX® projects, i.e.: <ul style="list-style-type: none"> <li>• Develop and maintain the UMM <i>Business Choreography View</i> and <i>Business Information View</i> from the CuS and EMD working groups.</li> <li>• Develop and maintain XML schemas based on the <i>Business Information View</i> from the CuS and EMD working groups</li> </ul>		Continuous	

## Appendix C Agreed additions to the ebIX® Business Information Model 2016.A

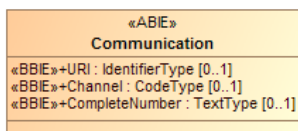
### C.1 BIE changes, e.g. cardinalities:

- 1) Change the cardinality of the association from “MP Event” to “MP Address” to [0..\*]
- 2) Add a language attribute to “MP Address”
- 3) Add Aggregated Reception Station (ARS), as an ASBIE, with XOR between the ARS and Calorific Value Area (CVA)
- 4) Add CVA, as an ASBIE, with XOR between the ARS and CVA
- 5) Rename MP Characteristics class to MP Administrative Characteristics
- 6) Add MP Physical Characteristics, containing:
  - a. Connection Status (Moved from MP Administrative Characteristics)
  - b. Disconnection Method
  - c. Capacity of Metering point (Moved from MP Administrative Characteristics)
  - d. Voltage Level (Moved from MP Administrative Characteristics)
  - e. Pressure Level (Moved from MP Administrative Characteristics)
- 7) Add Capacity of Metering point
  - a. Definition:

Capacity of a Metering point is the maximum physical capacity of the Metering Point.

For electricity the maximum capacity for the Metering Point is given in kW or MW and calculated from the nominal voltage level, number of phases and current limitations.

For gas the maximum capacity for the Metering Point is given in m3/hour, usually determined by the physical constraints of the (nozzles in the) Meter.
- 8) Add a new ABIE Energy Label, with two BBIEs; Technology Type and Fuel Type
- 9) Add an attribute “Disconnection Contract” (Boolean) in MP Administrative Characteristics
- 10) Change the Country Name (text) in the MP Address class to Country (coded)
- 11) Add BDT for Energy Label Fuel
- 12) Rename BDT Energy Generation technology Type to Energy Label Technology Type
- 13) Add an BBIE “number of phases” to MP Physical Characteristics
- 14) Add a new ABIE: Communication:



- 15) Rename the BBIE Unit Type in the ABIE Product Characteristics to Quantity Unit Type and add a BBIE Price Unit Type to the ABIE Product Characteristics

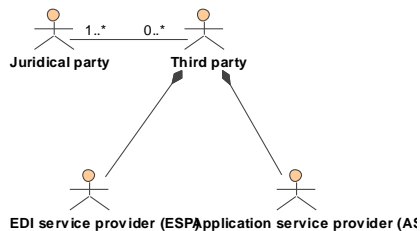
## C.2 New enumerations and/or DT:

- 1) Add an enumeration for ISO Language codes, based on ISO 639-1988
- 2) Add an enumeration for Energy Label Fuel type, based on CENELEC standard, imported from Atrias implementation
- 3) Add an enumeration for Energy Label Technology type, based on CENELEC standard, imported from Atrias implementation
- 4) Add enumeration "Communication channel", ebIX® subset with the following literals, based on 3155:
  - AL Cellular phone
  - EM Electronic mail
  - FX Telefax
  - TE Telephone
- 5) Add an enumeration "Communication channel", ebIX® subset, based on 3131 Address type, code with the following literals:
  - 1 Postal address; The address is representing a postal address
  - 3 Physical address; The address represents an actual physical location.
- 6) Remove all predefined facets, such as maxLength

## Appendix D ebIX® Rules for addressing (routing)

### D.1 Definitions

- Juridical party:** A juridical party is the party juridical responsible for sending or receiving information.
- Party id:** The identification of a party, i.e. the party's GS1 location number or the party's EIC (Energy Identification Code).
- Third party:** A party acting on behalf of the juridical party (as an intermediate) in a message exchange scenario. In between the juridical parties there may be several third parties. These intermediates can have different responsibilities, such as routing of documents, conversions and/or handling of the document content on behalf of the juridical party. Intermediates only doing routing of messages will not be a part of the addressing principles discussed below. The third parties may be split into the following two subtypes:
- Application service provider (ASP):** A third party that takes care of the database (application) for a juridical party. The ASP is responsible for returning application acknowledgements.
- EDI Service Provider (ESP):** A third party that is responsible for the document exchange on behalf of the juridical party, including conversion of documents. The ESP is responsible for returning syntax related acknowledgements.



*Relationship between roles in document exchange*

A juridical party can choose whether or not to use one or more third parties in his document exchange. It is also possible to combine usage of third parties for one or more business areas and handle the document exchange himself for other business areas.

### D.2 Principles for addresses and identifications

1. The juridical party may choose whether to use one or more third parties as intermediates in a document exchange scenario.
2. Routing of documents, including acknowledgements, shall use the same principles even if third parties are used.
3. The information in the "Header and Context Information" class may be used for routing purposes:

Header and Context Information	
+Document Type : DocumentNameCode [1]	C
+Business Reason : BusinessReasonCode [1]	C
+Ancillary Business Process Role : BusinessRoleCode [1]	C

4. It shall always be the juridical party, the party legally responsible for sending or receiving the information, that is identified in the document header level.
5. Acknowledgements of acceptance, such as EDIFACT/APERAK, shall be treated as any other document regarding the addresses. I.e. the sender address, including BPI (sub address) in the original document, shall be sent as receiver address in the application acknowledgement. And the receiver address, including BPI (sub address) in the original document, shall be sent as sender address in the application acknowledgement.
6. Acknowledgements of receipt, such as EDIFACT/CONTRL documents, shall be returned with opposite addresses. I.e. the sender address, including BPI (sub address) in the original document, shall be sent as receiver address in the syntax acknowledgement. And the receiver address, including BPI (sub address) in the original document, shall be sent as sender address in the syntax acknowledgement.

**Commented [ONE1]:** To be verified with ebIX BRS for Acknowledgement