


<b>Minutes MDS meeting November 15<sup>th</sup> and 16<sup>th</sup> 2017</b>	 <b>European forum for energy Business Information eXchange</b>
November 21 <sup>st</sup> , 2017	<b>MDS</b> (ebIX <sup>®</sup> working group for <b>Master Data Structuring and harmonisation</b> in the European energy market)

## Minutes – MDS project meeting

**Date:** Wednesday and Thursday November 15<sup>th</sup> and 16<sup>th</sup>, 2017  
**Time:** 09:00 – 17:00 and 9:00 – 16:00  
**Place:** Berlin  
**Present:** Ann-Sofie Segerheim, Svenska kraftnät

Christian Odgaard, Energinet.dk  
Gerrit Fokkema, EDSN  
Joachim Schlegel, Innogy  
Kees Sparreboom, TenneT  
Ove Nesvik, Edisys  
Preben Høj Larsen, Energinet.dk

**Appendix A** MDS Work plan

**Appendix B** Member list



ebix meeting  
20171115\_final.pptx

**Attachments:**

see item 5, Status of Maintenance Request (MR) to HRM for Gateway Operator and Gateway



HRM\_MR\_Party  
Administrator - ebIX

see item 6, Status of BRS for Alignment of characteristics for a Customer linked to a Metering Point

### 1 Approval of agenda

The agenda was approved with the following additions:

- Combined grid and supply billing (invoicing), see item 14.1 under AOB
- Request form ETC, see item 14.2 under AOB
- Restructuring of the ebIX<sup>®</sup> WGs, see item 14.3 under AOB
- BRS for Customer Move, see item 14.4 under AOB

### 2 Approval of minutes from previous meeting

The minutes from previous meeting were approved.

### 3 Status of and Questions (if any) from the Flex project

Gerrit reported that the first “real meeting” in the ebIX<sup>®</sup> Distributed flexibility project will take place in two weeks. In addition to ebIX<sup>®</sup> members, there are representatives from Eurelectric and USEF in the group. The first

task of the group is to define a generic process and then prove that relevant UseCases can be modelled in it. Kees mentioned that the project should focus on aggregation and not on congestions.

#### 4 Status of BRS for Alignment of Metering Configuration Characteristics:

Ove had as actions from previous meeting added the Gateway Operator as a Linked Role and sent the BRS on circulation for comments to MDS for 14 days, until Tuesday November 21<sup>st</sup>, 2017.

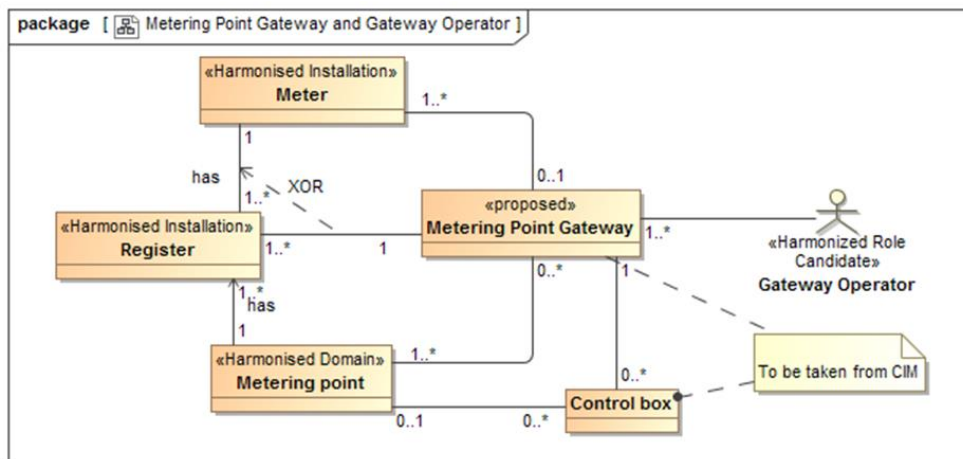
Comments from Gerrit was reviewed and the document was updated.

The intention is to send the BRS to ebIX® Forum for 4 weeks of commenting after Tuesday November 21<sup>st</sup>, 2017 and finally publish it at the ebIX® document page.

#### 5 Status of Maintenance Request (MR) to HRM for Gateway Operator and Gateway

Ove had as action from previous meeting sent the MR, that was updated at the previous MDS meeting, to ETC for new review. However, ETC was still a bit confused. I.e. ETC did not really understand the concept. Hence, Joachim was asked to prepare a presentation for description of the concept of Metering Point Gateway, Gateway Operator and maybe also Gateway Administrator, among others based on questions that turned up in ETC:

1. According to the model (see below), the Gateway can be connected to one or more MPs – Is there any limitation to the number of MPs, such as a Geographical limitation (one company, one apartment building etc.)?
  - In theory, if you look at the diagram below, the Metering Point Gateway could be a national hub, but I don't think that is the intention (?)
2. Can one Gateway send metered data to more than one Metering Company and more than one Balance Supplier?
3. Is there a need for a Gateway Administrator in addition to the Gateway Operator?
  - a. What would be the tasks for a Gateway Operator?
  - b. What would be the tasks for a Gateway Administrator?
4. How is the Grid Access Provider (DSO) connected to the Metering Point Gateway?



During this item Christina Frein from BDEW and Vlatka Cordes from Westnetz (by phone) participated.

The Germans presented the new regulations in Germany related to the Gateway concept, see attached presentation:

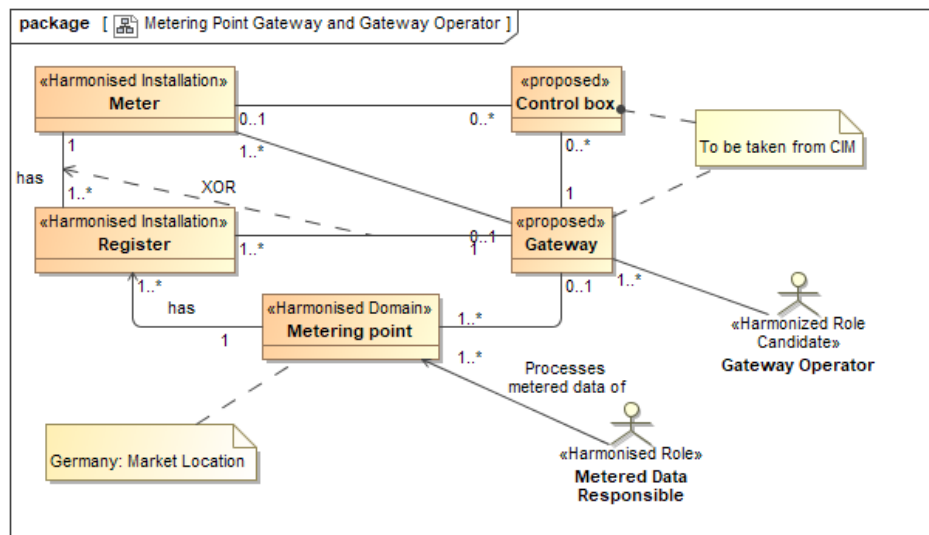
- Today it is the GAP that connects and disconnects MPs. When introducing the Gateway, this may also be a task for the Gateway Operator;

- At least for Germany, the Gateway will only be connected to smart meters;
- The current proposal from ETC/MDS for the Gateway Operator is:
  - A party responsible for installing, testing, configuring, maintaining and decommissioning of Metering Point Gateway(s).

While the German proposal for the Gateway Operator is:

A party responsible for installing, maintaining, testing, certifying and decommissioning Smart Meter Gateways.

- The Gateway Operator is a deregulated role, however the “Gateway Operator of last resort” in a MGA will always be the DSO;
- Two new domains have been defined:
  - Marktlokation: Fits into the concept Metering Point / Accounting Point. A Marktlokation produces or consumes energy. A Marktlokation has one (or more) connections to the grid. A Marktlokation is under balance responsibility and has a Balance Supplier;
  - Messlokation: A location energy is measured. In a Messlokation you will find technical assets which are needed for collection of metered data and transmission of the data.
- The Messlokation seems to be an “Installation” (Field, Bar...);
- The model of the Gateway and Gateway Operator was modified:



- The company administrating the Gateway (in Germany called Measurement Point Operator) will also act as the Metered Data Responsible (incl. validation and estimation of data) and send validated metered data directly to all relevant parties, such as the Balance Supplier, Balance Responsible Party and Grid Access Provider;
- The physical Gateway device has to be certified for validating meter reads;
- Only Customers with more than 6.000 kWh (net consumption?) a year have to get a smart meter and be connected to a Gateway. This means that about 15%-20% of the Metering Points will have smart meters and be connected to a Gateway;
- Data from the Gateway to the receiving market parties will be exchanged as a national defined xml file, probably using AS4. The Gateway Operator has to keep track of all relevant parties to send (push) data to.

An updated MR can be found at: [MDS documents for review](#).

**Conclusion:**

- The concept of Gateway and Gateway Operator is still not fully defined in the German market, hence a maintenance request for additions to the HRM will be postponed until summer 2018. A new review of the MR for Gateway Operator and Gateway was added to the MDS Work plan in Appendix A.

## 6 Status of BRS for Alignment of characteristics for a Customer linked to a Metering Point

Ove had as action from previous meeting updated the BRS and sent it on circulation for comments to MDS for 14 days, until Tuesday November 21<sup>st</sup>, 2017.

The BRS was reviewed and updated among others after comments from Ann-Sofie.

The intention is to send it to ebIX<sup>®</sup> Forum for 4 weeks of commenting after Tuesday November 21<sup>st</sup>, 2017 and finally publish it at the ebIX<sup>®</sup> document page.

As an answer to the action from previous meeting, to make a document as basis for a discussion related to a Party Administrator and its linking to domains and roles in the HRM, a MR for a Party Administrator was drafted (attached).

**Action:**

- All are asked to review the draft MR for a Party Administrator. The MR will be reviewed at the next MDS meeting, before forwarding it to ETC and the HG.

## 7 Status of BRS for Request Change of MP Characteristics

Ove had as action from previous meeting updated the BRS with the new codes from ETC and sent it on circulation for comments to MDS for 14 days, until Tuesday November 21<sup>st</sup>, 2017.

Comments from Gerrit was reviewed and the document was updated. Among others, it was noted that the Response Reason Description Code E16 used Unauthorised (with S) and that Code E55 used Unauthorized (with Z). The Z was replaced with a S during the meeting.

Unless blocking comments are received, the document will be send it to ebIX<sup>®</sup> Forum for 4 weeks of commenting after Tuesday November 21<sup>st</sup> and finally publish at the ebIX<sup>®</sup> document page.

During this item Ann-Sofie had a question related to how to interpret the Disconnection Method Code. The “Manual Inside” means that the MP can be connected again from inside the house, while the “Manual Outside” means that the MP must be reconnected from outside the house. There will be different timelines associated with these two processes, such based on national rules.

## 8 BRS for “Request change grid responsibility”

Ove had as action from previous meeting updated the BRS, however with several questions, among others related to how to present upfront and “aftercare” UseCases, which not will be further elaborated by ebIX<sup>®</sup>. Among others, the following was agreed:

- We will add an overall UseCase containing the upfront and “aftercare” UseCases, and the UseCase “Change grid responsibility” which will be elaborated by ebIX<sup>®</sup>;
- The BRS will be renamed to “Rearrange MPs between grids”;
- At the next meeting we will, among others, focus on potential exchange of metering configuration characteristics between Meter Administrators.

-

**Action:**

- Ove will update the BRS, and make the updated draft BRS available at: [MDS documents for review](#).

## 9 BRS for change of BRP (bulk change of BRB)

Ove had as action from previous meeting updated the BRS and made it available at: [MDS documents for review](#). However, due to lack of time, the item was postponed.

## 10 Continue high-level impact analyses regarding the General Data Protection Regulation (GDPR)

ebIX® EMD had a look at the draft results from MDS regarding GPDR, especially for the Validated data for Billing. As a result of the review EMD made some updates in the table (2.4).

*Continued actions:*

- Ove will add reasons for all MDS documents and not-aggregated EMD documents, i.e. extended the GPDR-document with all documents from all EMD BRSs, which are not-aggregated documents.
- Everyone are asked to review the memo and come up with comments (will be made available at [MDS documents for review](#)).

## 11 Review workplan to start new items

The items on the workplan were reviewed and updated. However due to the possible new structuring of the WG's in ebIX the items were not planned for action.

--- If time items ---

## 12 BRS for Alignment of Area Characteristics

The latest BRS can be found at: [MDS documents for review](#).

The item was postponed, due to lack of time.

## 13 Meeting schedule

- Tuesday and Wednesday December 19<sup>th</sup> and 20<sup>th</sup>, Erritsø (Fredericia), Denmark
  - Review of the Change of Supplier and Move BRSs, with a focus on “supplier centric modelling” and the Eurelectric part (Make supply contract, Verify existence of grid contract etc.). Do we need these processes in the ebIX® model?
- Wednesday and Thursday February 7<sup>th</sup> and 8<sup>th</sup>, in Oslo;
- Wednesday and Thursday April 4<sup>th</sup> and 5<sup>th</sup>, in Warsaw;
- Tuesday and Wednesday May 29<sup>th</sup> and 30<sup>th</sup>, in Helsinki or Berlin (Joachim has booked room in Berlin);
- Tuesday and Wednesday August 28<sup>th</sup> and 29<sup>th</sup>, in Maribor;
- Tuesday and Wednesday October 23<sup>rd</sup> and 24<sup>th</sup>, in Netherlands;
- Tuesday and Wednesday December 18<sup>th</sup> and 19<sup>th</sup>, in Stockholm or Berlin (Joachim has booked rooms in Berlin)

## 14 AOB

### 14.1 Combined grid and supply billing (invoicing)

MDS has received a document “basic assumptions used for drafting the BRS for Supplier Centric Billing” from EMD. EMD asks MDS to send the document to the MDS members, asking for comments and addition of new columns for those countries not already shown.

**Action:**

- Ove will send a separate mail to MDS asking for comments and addition of new columns for those countries not already shown in the “basic assumptions used for drafting the BRS for Supplier Centric Billing”. Ove will ask for reply before December 15<sup>th</sup>.

**14.2 Request form ETC**

ETC asks MDS to prioritise making BRSs for:

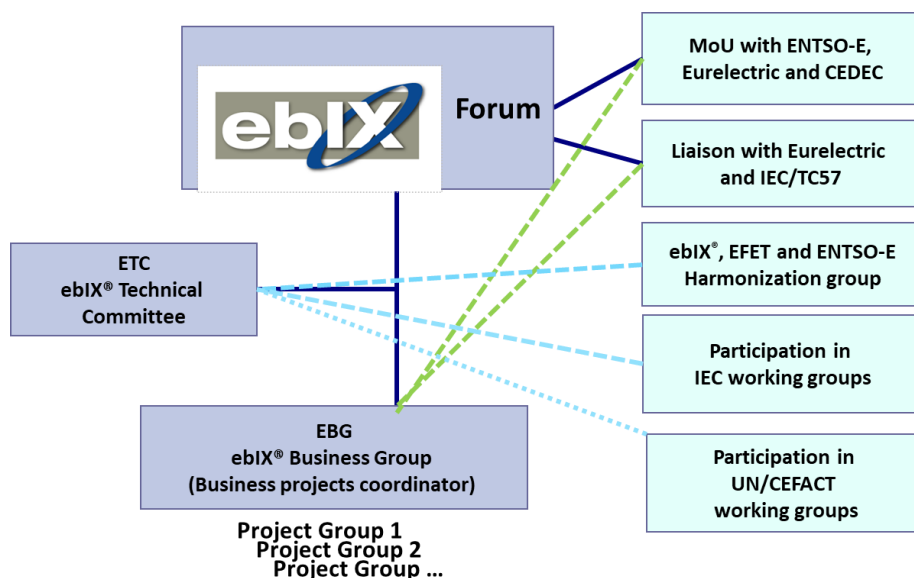
- Close down (demolition) of MP, sent from Grid Access Provider to Metering Point Administrator to Balance Supplier;
- Request- and response update Metering Point party, e.g. from Grid Access Provider, to the Balance Supplier (Party Administrator).

The proposed new BRSs were added to the MDS Work plan in Appendix A

**14.3 Restructuring of the ebIX® WGs**

Gerrit informed that there is a proposal made in the last ebIX® Forum for restructuring of ebIX® Work Groups. The background is among others that it is less people interested in participation in the ebIX® WGs.

The proposal includes the creation of a permanent ebIX® business group (EBG) instead of today’s two WGs MDS and EMD. EBG will be responsible for a set of ebIX® project groups, that will handle the current tasks of MDS and EMD.



EBG may be a smaller group (maybe 6 participants) that coordinates the projects and in addition, do smaller maintenance work on already approved BRSs etc.

**14.4 BRS for Customer Move**

Ove had as action from previous meeting updated the BRS and sent it on circulation for comments to MDS for 14 days, until Tuesday November 21<sup>st</sup>, 2017.

Comments from Gerrit were reviewed and the document was updated.

The intention is to send it to ebIX® Forum for 4 weeks of commenting after Tuesday November 21<sup>st</sup>, 2017 and finally publish it at the ebIX® document page.

## Appendix A MDS Work plan

#	Activity	Priority	Start	End
	Review and consider submission of a MR to the HRM for Gateway and Gateway Operator. The concept is not fully defined in the German market, hence a maintenance request for additions to the HRM has been postponed until summer 2018.	Summer 2018		
A)	Request- and response update Metering Point party, e.g. from Grid Access Provider, to the Balance Supplier (Party Administrator)			
B)	Master data for energy industry parties, such as BRPs and BSs			
C)	Combined grid and supply billing (invoicing), including MD for products, such as; grid fees, grid subscriptions, ...			
D)	“Switch of grid”, for instance a part of a Metering Grid Area (MGA), such as a village, that is transferred from one GAP and MGA to another	Under construction		
E)	Master data for domains, such as which MGAs that belongs to a MBA and related characteristics of these domains (can be changed after harmonisation of HRM and new domains from the network codes from ENTSO-E)	Under construction		
F)	Change of BRP in Metering Grid Area, “Price Area” or country (not at MP level) (Proposed by DK), i.e. a “bulk change of BRP (and/or BS?)”	Under construction		
G)	“Life cycle of a MP”, including <ul style="list-style-type: none"> <li>• how technical events interact with administrative processes and responsibilities</li> <li>• how to create and end MPs</li> </ul>			
H)	Efficient data alignment, including the possibility to request historical and/or future master data.	Low priority		
I)	The possible role of a datahub in the processes (Proposed by DK) <ul style="list-style-type: none"> <li>• Seen from the supplier side</li> <li>• Seen from the DSO side</li> <li>• Seen from the metering side</li> </ul> When adding a datahub to a market the datahub will replace the DSOs, to a large extend, i.e. the MPA will be the datahub. Among others, the proposal includes processes between the GAP and the MPA.	High priority		
J)	QA of the MDS model and consistency of the MDS and EMD models, such as: <ul style="list-style-type: none"> <li>• The MP parties should be linked to the MP instead of the “document”, to be in line with BIM and CIM</li> <li>• The discussion must include bulk switch, where we will have one party with multiple MPs</li> </ul>			



## Appendix B Member list

### Members:

Name		Company	Telephone	Mobile	E-mail
Stefan De Schouwer	BE	Atrias			<a href="mailto:stefan.deschouwer@atrias.be">stefan.deschouwer@atrias.be</a>
Thibaut Hellin	BE	Atrias		+32 476 52 07 78	<a href="mailto:thibaut.hellin@atrias.be">thibaut.hellin@atrias.be</a>
Joachim (Joe) Schlegel	DE	innogy	+49 231 438-1787	+49 1722364396	<a href="mailto:Joachim.Schlegel@westnetz.de">Joachim.Schlegel@westnetz.de</a>
Christian Odgaard	DK	Energinet	+45 76 22 44 63	+45 23 33 85 55	<a href="mailto:cco@energinet.dk">cco@energinet.dk</a>
Preben Høj Larsen	DK	Energinet			<a href="mailto:PHQ@energinet.dk">PHQ@energinet.dk</a>
Minna Arffman	FI	Fingrid		+358 40 648 3015	<a href="mailto:Minna.Arffman@fingrid.fi">Minna.Arffman@fingrid.fi</a>
Gerrit Fokkema (Convenor)	NL	EDSN	+31 355 480 180	+31 622907787	<a href="mailto:gerrit.fokkema@edsn.nl">gerrit.fokkema@edsn.nl</a>
Kees Sparreboom	NL	TenneT		+31 622 66 7911	<a href="mailto:kees.sparreboom@capgemini.com">kees.sparreboom@capgemini.com</a>
Christian Valland	NO	Norgesenergi			<a href="mailto:Christian.Valland@norgesenergi.no">Christian.Valland@norgesenergi.no</a>
Ove Nesvik (Secretary)	NO	EdiSys	+47 22 42 13 80	+47 928 22 908	<a href="mailto:ove.nesvik@edisys.no">ove.nesvik@edisys.no</a>
Torleif Korneliussen	NO	Hafslund		+47 908 47 285	<a href="mailto:Torleif.Korneliussen@hafslund.no">Torleif.Korneliussen@hafslund.no</a>
Grazyna Hańderek	PL	Tauron Dystrybucja	+48 32 303 52 01	+48 508 006 285	<a href="mailto:Grazyna.Handerek@tauron-dystrybucja.pl">Grazyna.Handerek@tauron-dystrybucja.pl</a>
Waldemar Lonczak	PL	Energa-Operator SA	+48 58 778 80 47	+48 691 960 129	<a href="mailto:waldemar.lonczak@energa.pl">waldemar.lonczak@energa.pl</a>
Ann-Sofie Segerheim	SE	Svenska kraftnät	+46 8 687 3112	++46 70 311 0957	<a href="mailto:emma.lindgren@vattenfall.com">emma.lindgren@vattenfall.com</a>
Boštjan Topolovec	SI	Represent Section IPET		+38 641 768 799	<a href="mailto:bostjan.topolovec@sodo.si">bostjan.topolovec@sodo.si</a>

### Observers:

Dajana Vrbicic Tendera	HR	Hops			<a href="mailto:dajana.vrbicic-tendera@hops.hr">dajana.vrbicic-tendera@hops.hr</a>
Gordon Brown	UK	AMT-Sybex	+44 2 890 781 616	+44 7 808 901 219	<a href="mailto:Gordon.Brown@AMT-Sybex.com">Gordon.Brown@AMT-Sybex.com</a>
Paul Krall	AT	APG			<a href="mailto:Paul.Krall@apg.at">Paul.Krall@apg.at</a>
Sanja Medić	HR	Hops			<a href="mailto:Sanja.Medic@hops.hr">Sanja.Medic@hops.hr</a>

### CC:

Karsten Feddersen	DK	Energinet.dk			<a href="mailto:kaf@energinet.dk">kaf@energinet.dk</a>
Erik Gustavsen	NO	Edisys			<a href="mailto:Erik.gustavsen@edisys.no">Erik.gustavsen@edisys.no</a>
Tor Heiberg	NO	Statnett			<a href="mailto:tor.heiberg@statnett.no">tor.heiberg@statnett.no</a>
Jan Owe	SE	Svenska kraftnät			<a href="mailto:Jan.Owe@svk.se">Jan.Owe@svk.se</a>
Oscar Ludwigs	SE	Svenska kraftnät			<a href="mailto:Oscar.Ludwigs@svk.se">Oscar.Ludwigs@svk.se</a>

It is expected that cc receivers are reading the MDS minutes and actively responds to these when they have comments to them. It is further expected that the MDS information is actively used in the national data exchange standardisation work.